

SINGER
103K10

LIST OF PARTS



MACHINE No. 103K10

THE SINGER MANUFACTURING COMPANY

INDEX

	Page
Attachments.....	12
Bobbin Winders.....	13
Knee Lifter.....	15
Machine No. 103K10.....	5
Numerical List of Parts.....	17

INSTRUCTIONS FOR ORDERING

In ordering from this List, the prefix and affix letters with the part number MUST BE quoted exactly as they are shown in the first column.

A number always indicates the same part in whatever List it may appear, or for whatever machine.

The prefix SS indicates Screws made only at Singer.

The prefix NN indicates Nuts made only at Singer.

The prefix RR indicates Rollers and Studs made only at Singer.

The affix letters (where shown) indicate the style of finish, as follows:-

A. Hardened, Polished, Nickel Plated and Buffed.

B. Polished, Nickel Plated and Buffed.

C. Hardened only.

D. Polished only.

E. Soft, not Polished.

F. Hardened and Polished.

H. Blued.

J. Nickel Plated only.

K. Hardened and Nickel Plated.

L. Brass Plated.

M. Oxidized.

N. Japanned, Dull

P. Japanned, Bright

R. Merlized.

T. Copper Plated.

T.A. Hardened, Polished, Copper and Nickel Plated and Buffed.

T.B. Copper and Nickel Plated and Polished.

T.J. Copper and Nickel Plated only.

T.K. Hardened, Copper and Nickel Plated.

T.L. Copper and Brass Plated.

T.M. Copper Plated and Oxidized.

U. Zinc Plated.

V. Silver Plated.

W. Polished and Nickel Plated.

Z. Chromium Plated.

Z.B. Polished, Nickel Plated, Buffed and Chromium Plated.

Z.J. Nickel and Chromium Plated.

In this series:

1 to 1500 and 50001 to 51500 are Screw Numbers.

1501 to 1800 are Nut Numbers.

1801 to 2000 are Roller Numbers.

2001 to 50000 are Numbers of Machine Parts, etc.

80001 to 100000 are Numbers of Machine Parts, etc., made only at Singer.

120001 to 190000 are Numbers of Machine Parts, etc.

190001 to 200000 are Numbers of Electrical Parts.

700001 and upwards are Numbers of Electrical Parts.

Parts marked with an asterisk (*) are furnished only when the repairs are made at Factory.

LIST OF PARTS COMPLETE

FOR

MACHINE No. 103K10

For General Work in Cloth; Rotating Hook driven by steel bevel gears, spiral cut; Drop Feed (reversible); C.S.M. Distance from Needle to Base of Arm 22 1/2 cm., Length of Stitch adjustable from 1 to 5 mm. For Home Manufacturing. For Foot or Motor Drive.

No.	Plate	Name
*99605	-----	Arm with 15404, 24131, 52149, 56070, 99627, 99637, 199802 and two 15405.....
Note: Due to the accuracy required for Gear alignment, Arm cannot be supplied separately and can only be sent out as a unit, Arm and Bed assembled.		
4389	1919	Arm Dowel Pin (2).....
52148	-----	" Oil Tube.....
52149	1922	" " " 52148 with 52150, for oiling 56154
52150	-----	" " " Packing (braided cotton).....
24131	1919	" " " with 52045, for oiling 24894.....
99635	1786	" " " " 52045, for oiling 52022.....
99636	1786	" " " " 52045, for oiling 52024.....
99627	1922	" " " " 52045, for oiling 99615 and 99616.....
52045	1786	Arm Oil Tube Packing (cotton).....
118E	1923	" Screw (3).....
99621	1918	" Shaft (horizontal).....
56154	1718	" " " " Bevel Gear with two 1036C
99623	1719	" " " " " " Case (two pieces) with two 647E.....
56070	1718	Arm Shaft (horizontal) Bevel Gear Case Position Pin.....
647E	1923	Arm Shaft (horizontal) Bevel Gear Case Screw..
1036C	1923	" " " " " " Set Screw...
56005	1917	" " " " Bushing (back).....
52045	1786	" " " " " " Packing (cotton).....
1133C	1923	Arm Shaft (horizontal) Bushing (back) Set Screw.....
56007	1917	Arm Shaft (horizontal) Flanged Bushing (front)
52045	1786	" " " " " " " " Packing (cotton).....
443C	1721	Arm Shaft (horizontal) Flanged Bushing (front) Set Screw.....

No.	Plate	Name
56159	1718	Arm Shaft (upright).....
56155	1718	" " " Bevel Gear (lower) with two 1253C.....
1253C	1786	Arm Shaft (upright) Bevel Gear (lower) Set Screw.....
56156	1718	Arm Shaft (upright) Bevel Gear (upper) with two 1253C.....
1253C	1786	Arm Shaft (upright) Bevel Gear (upper) Set Screw.....
56099	1718	Arm Shaft (upright) Bushing (lower).....
448C	1923	" " " " " " Set Screw.
56100	1718	" " " " " (upper).....
448C	1923	" " " " " " Set Screw.
189802	1786	" " " " Oil Tube (lower).....
99637	1786	" " " " " (upper).....
56016	1917	" Side Cover.....
50053B	1923	" " " Thumb Screw.....
12403	1919	" Spool Pin and Thread Eyelet.....
8879	1721	" " " Washer (Cloth).....
15282	1152	Balance Wheel, 2 1/4 in. pulley.....
*99606	-----	Bed.....

Note: Due to the accuracy required for Gear alignment, Bed cannot be supplied separately and can only be sent out as a unit, Arm and Bed assembled.

56067B	-----	Bed Slide.....
2824	1919	" " Spring.....
725J	1923	" " " Screw.....
56019B	1817	Bed Slide complete, Nos. 2824, 56067B and two 725J.....
256B	1923	Clamp Stop Motion Clamp Screw.....
248A	1922	" " " " Stop Screw.....
2020	1919	" " " " Washer.....
56020	1917	" " " Flanged Bushing.....
50189C	1817	" " " " " Set Screw...
56021	-----	Clamp Stop Motion complete, Nos. 248A, 256B, 2020, 50189C and 56020.....
56125	1917	Face Plate with 226D and 52170.....
176D	1721	" " Screw.....
52170	1786	" " Thread Guard.....
226D	1923	" " " " Screw.....
50190B	1923	" " Thumb Screw.....
99624	1719	Feed Bar.....
313C	1923	" " Screw Center (2).....
56813	-----	" " " " 313C with 1519J.....
1519J	1923	" " " " Nut (2).....
99615	1719	" and Feed Lifting Eccentric with SS551C and SS552C.....

No.	Plate	Name
SS552C	1817	Feed and Feed Lifting Eccentric Position Screw
SS551C	1817	" " " " " Set Screw.....
56024	6440	" Connecting Link.....
375C	6440	" " " Hinge Screw (2).....
1518E	6440	" " " " " Nut (2).....
99601	1787	" Dog.....
99602	1787	" " for Collars and Cuffs.....
99603	1787	" Dog.....
50117E	1923	" " Screw (2).....
Note: No. 99601 is sent with this machine unless otherwise specified on order.		
99616	1719	Feed Forked Connection.....
*99630	-----	" " " " 99616 with 56024, 56036, two each 375C and 1518E.....
375C	6440	Feed Forked Connection Hinge Screw.....
1518E	6440	" " " " " Nut.....
56027	1918	" Lifting Rock Shaft with 1813.....
56028	-----	Feed Lifting Rock Shaft complete, Nos. 56027 and 56029.....
56029	1718	Feed Lifting Rock Shaft Crank with 157C.....
157C	1718	" " " " " Clamping Screw..
56104	1918	" " " " " Connecting Rod with 56105 and two 145E.....
*56105	-----	Feed Lifting Rock Shaft Crank Connecting Rod Cap.....
145E	1721	Feed Lifting Rock Shaft Crank Connecting Rod Cap Screw.....
375C	6440	Feed Lifting Rock Shaft Crank Connecting Rod Hinge Screw.....
1518E	6440	Feed Lifting Rock Shaft Crank Connecting Rod Hinge Screw Nut.....
1813	1923	Feed Lifting Rock Shaft Roller and Stud.....
50191C	1923	" " " " " Screw Center (2).....
52097	-----	" " " " " " 50191C with 1513J.....
1513J	1923	Feed Lifting Rock Shaft Screw Center Nut (2)
50192E	6440	" Regulating Stud.....
56032	6440	" " " " Head with 56033.....
50193J	6440	" " " " Cap Screw.....
56033	6440	" " " " Stop Pin.....
56034	6440	" " " Lock Pin.....
56035	6440	" " " " Spring.....
56036	6440	" Regulator with 1454E.....
50194E	6440	" " Screw Stud.....
1454E	6440	" " " " Set Screw.....
27795	6440	" " " " " Washer (brass).....

No.	Plate	Name
127102	-----	Rotating Hook Thread Guard.....
1053E	1817	" " " " Screw.....
56053	6443	Slack Thread Regulator.....
225F	6443	" " " Adjusting Screw.....
56054	1719	Spool Holder Base.....
389D	1923	" " " Screw.....
204296	1719	" " Wire.....
200079H	1923	" " " Hinge Screw.....
56055	1719	Spool Holder complete, Nos. 56054, 200079H and 204296.....
2102	6446	Tension Disc.....
1560G	6446	" Regulating Thumb Nut.....
32572	6446	" Releasing Disc.....
56056	6446	" " Lever.....
12398	6446	" " " Hinge Pin.....
12329	6446	" " " Spring.....
56057	6446	" " Pin.....
2103	6446	" Spring.....
50196C	6446	" Stud.....
440C	6446	" " Set Screw.....
56128	-----	Tension complete, Nos. 1560G, 2103, 32572, 50196C, 56057, 56060, 56062, 56064 and two 2102...
36555	6446	Thread Cutter and Holder.....
56084	6446	" Guard (front of arm).....
808F	6446	" " " " " Set Screw.....
52027	1721	" " (side of arm).....
52454	1721	" Retainer.....
624C	1721	" " Set Screw.....
99634	1786	" Take-up Crank.....
1036C	1923	" " " Position Screw.....
1259C	1923	" " " Set Screw.....
99640	-----	" " " 99634 with 775E and 24894
52022	1919	" " Lever with 52130.....
52023	1919	" " " Hinge Pin.....
52024	1919	" " " Link.....
56059	1817	" " " " Hinge Pin.....
448C	1923	" " " " " Set Screw.
52130	-----	" " " Thread Eyelet Bushing....
52025	-----	Thread Take-up Lever complete, Nos. 52022 to 52024.....
99629	-----	Thread Take-up complete, Nos. 52025, 56059 and 99640.....
56060	6446	Thread Take-up Spring.....
56061	-----	" " " Disc.....
56062	6446	" " " " 56061 with 56063...
56063	6446	" " " " Steady Pin.....
56064	6446	" " " Thread Guard.....

No.	Plate	Name
56065	1787	Throat Plate, large needle hole, for 99601....
56066	-----	" " small needle hole, for 99601.....
56089	1787	" " for 99602.....
56092	1787	" " large needle hole, for 99603....
56091	-----	" " small needle hole, for 99603.....
691A	1923	" " Screw (2).....
Note: No. 56065 is sent with this machine unless otherwise specified on order.		
*15404	-----	Trade Mark.....
15405	-----	" " Rivet.....
56087	6455	Drip Pan with four 1 in. wire nails.....

ATTACHMENT SET

No.	Plate	Name
55623	1786	Bobbin.....
25878	1319	Cloth Guide.....
732B	1922	" " Thumb Screw.....
36837	1720	Felling Foot.....
36838	1720	Hemmer Foot, 1/8" hem.....
36839	----	" " 3/16" hem.....
16 x 231	----	Needles.....
36569	1319	Oiler.....
36570	----	" 36569, filled with oil.....
36840	1720	Presser Foot (for Gathering).....
36554	1720	" " (narrow, for Tailoring).....
25537	1319	Screw Driver (large).....
120378	1319	" " (small).....
86505	----	Set complete, Nos. 732B, 25537, 25878, 36554, 36570, 36837 to 36840, 120378, five 55623 and six needles.....

ATTACHMENTS

No.	Plate	Name
36613	1720	Binder.....
86594	----	Darning Foot.....
121092	----	" " Shank.....
121093	----	" " Spring.....
86595	----	Darning Foot complete, Nos. 86594, 121092 and 121093.....
86597	----	Feed Cover Plate, for use with 86595.....
36559	6451	Hemmer (adjustable).....
36549	1720	Presser Foot with two each 662D and 36550, for braiding.....
36550	1720	Presser Foot Braid Guide.....
662D	1720	" " " " Screw.....
36551	1720	" " for cording.....
36633	6464	Ruffler Driving Lever.....
36634	6464	" " " Friction Washer.....
36635	6464	" " " Hinge Stud.....
36636	6464	" Frame.....
36637	6464	" " Spring Plate.....
36638	6464	" Ribbon Guide.....
240B	6464	" " " Screw.....
36639	6464	" Ruffling Blade.....
36640	6464	" " " Holder.....
36641	6464	" " " " Guide.....

No.	Plate	Name
36642	6464	Ruffler Ruffling Blade Holder Guide Rivet.....
26770	6464	" " " " Hinge Stud.....
36643	6464	" " " Lever with 620F and 50236B.....
620F	6464	Ruffler Ruffling Blade Lever Adjusting Screw..
50236B	6464	" " " " " Thumb Screw.....
26092	6464	Ruffler Ruffling Blade Rivet (furnished for repairs).....
36644	6464	Ruffler Separating Blade.....
36645	6464	" " " Holder.....
36646	6464	" " " " Friction Spring
36647	6464	" " " " Hinge Stud.....
36648	6464	" " " " Stop Stud.....
26092	6464	" " " Rivet (furnished for repairs).....
36560	6451	Ruffler complete, Nos. 240B, 26770 and 36633 to 36648.....
86297	1922	Throat Plate, for darning.....
36561	6450	Tucker.....

BOBBIN WINDER (Automatic)

No.	Plate	Name
15376	1921	Adjusting Arm.....
50058B	1923	" " Screw.....
15072	1921	Bobbin Position Pin.....
99607	1920	Bracket (belt cover).....
SS539B	1923	" Screw.....
15413	1921	Frame.....
50059B	1923	" Hinge Screw.....
15286	1921	" Spring.....
15287	1921	Friction Ring (rubber).....
15288	1921	Pulley.....
99608	1920	Spindle with 15072.....
571C	1923	" Worm.....
99610	1920	Stop Latch.....
50230B	1923	" " Hinge Screw.....
15291	1921	" " Spring.....
32628	1921	Thread Guide.....
50061B	1923	" " Hinge Screw.....
15366	1921	" " Spring.....
15416	1921	Worm Wheel and Thread Guide Cam.....
2749	1921	" " " " " Friction Washer
50B	1923	" " " " " Screw Stud.....
1528J	1923	" " " " " " " Nut

No.	Plate	Name
99609	1920	Bobbin Winder (automatic) complete, Nos. 50B, 571C, 1528J, 2749, 15286 to 15288, 15291, 15366, 15376, 15413, 15416, 32628, 50058B, 50059B, 50061B, 50230B, 99607, 99608 and 99610

BOBBIN WINDER

(SWINGING AUTOMATIC, LEFT HAND)

FOR THREAD WOUND ON COPS

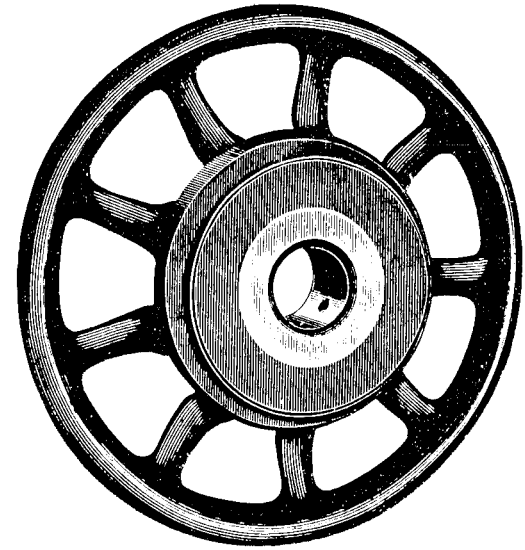
No.	Plate	Name
41728	6454	Base.....
15072	1921	Bobbin Position Pin.....
41698	6454	Frame with 465C.....
34105	6454	" Hinge Pin.....
457C	1923	" " " Set Screw.....
41699	6454	" Spring.....
41700	6454	Pulley.....
41815	6454	Spindle with 15072, for bobbin.....
41816	6454	" for spool.....
41817	-----	" 41815 with 41816.....
41729	6454	Stop Latch.....
60733	-----	" " 41729 with 2269 and 34105.....
34105	6454	" " Hinge Pin.....
2269	1919	" " Pin.....
41730	6454	" " Tripping Arm with 171D.....
171D	1923	" " " " Clamping Screw.....
41707	6454	Tension Bracket.....
41708	6454	Tension Bracket complete, Nos. 8422, 10107, 41707, 41709 and two 10106.....
219B	1923	Tension Bracket Screw.....
10106	1919	" Disc.....
10107	1817	" Spring.....
41709	1817	" Stud.....
8422	1919	" Thread Guide.....
41731	6454	Bobbin Winder, Nos. 34105, 41698 to 41700, 41728, 41730, 41817 and 60733
41732	-----	Bobbin Winder (swinging automatic, left hand) complete, Nos. 41708 and 41731
135D	1923	Bobbin Winder Screw
20437	1817	" " " Washer

This bobbin winder is only supplied when specified on order, and at an extra charge.

KNEE LIFTER

No.	Plate	Name
5596	1721	Bell Crank.....
56072	1721	" " Bracket.....
178E	1923	" " " Screw.....
5601	1919	" " Hinge Pin.....
56073	6443	" " Spring.....
56074	1721	Bell Crank complete, Nos. 5596, 5601, 56072 and 56073.....
56075	1719	Lifting Lever.....
52028	1719	" " Connecting Rod.....
12416	6443	" " " " Joint.....
76D	1923	" " " " " Hinge Screw.....
1521E	1923	" " " " Lock Nut.....
802D	1923	" " Hinge Screw.....
56076	6443	" " Link.....
56077	6443	" " Rivet.....
56071	6443	Presser Bar Lifting and Releasing Lever Bracket with 56076 and 56077.....
2763	6455	Rock Shaft.....
56078	6455	" " Hanger with two Wood Screws 1 in. No. 10.....
56079	6455	Rock Shaft Knee Arm with 356C.....
356C	1923	" " " " Set Screw.....
56080	6455	" " Lifting Arm with 356C.....
356C	1923	" " " " Set Screw.....
56081	6455	Rock Shaft complete, Nos. 2763, 56079, 56080 and two 56078.....
56082	-----	Knee Lifter complete, Nos. 76D, 802D, 1521E, 12416, 52028, 56071, 56074, 56075, 56081 and two 178E.....

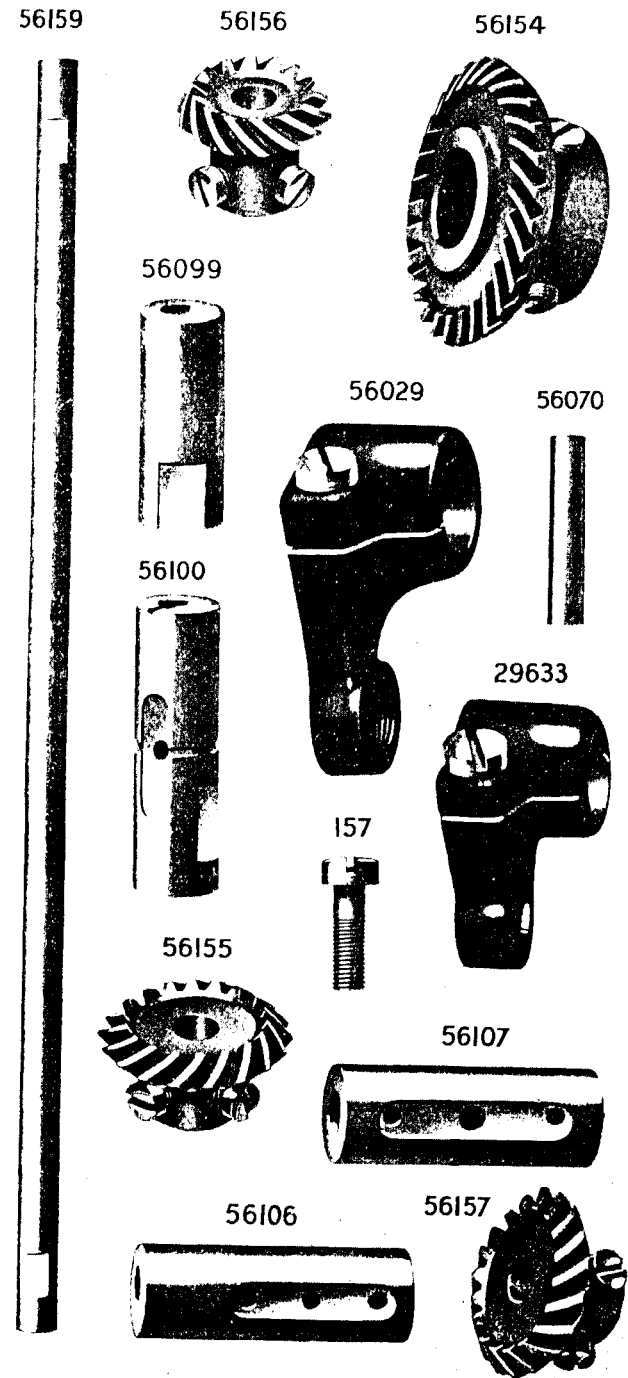
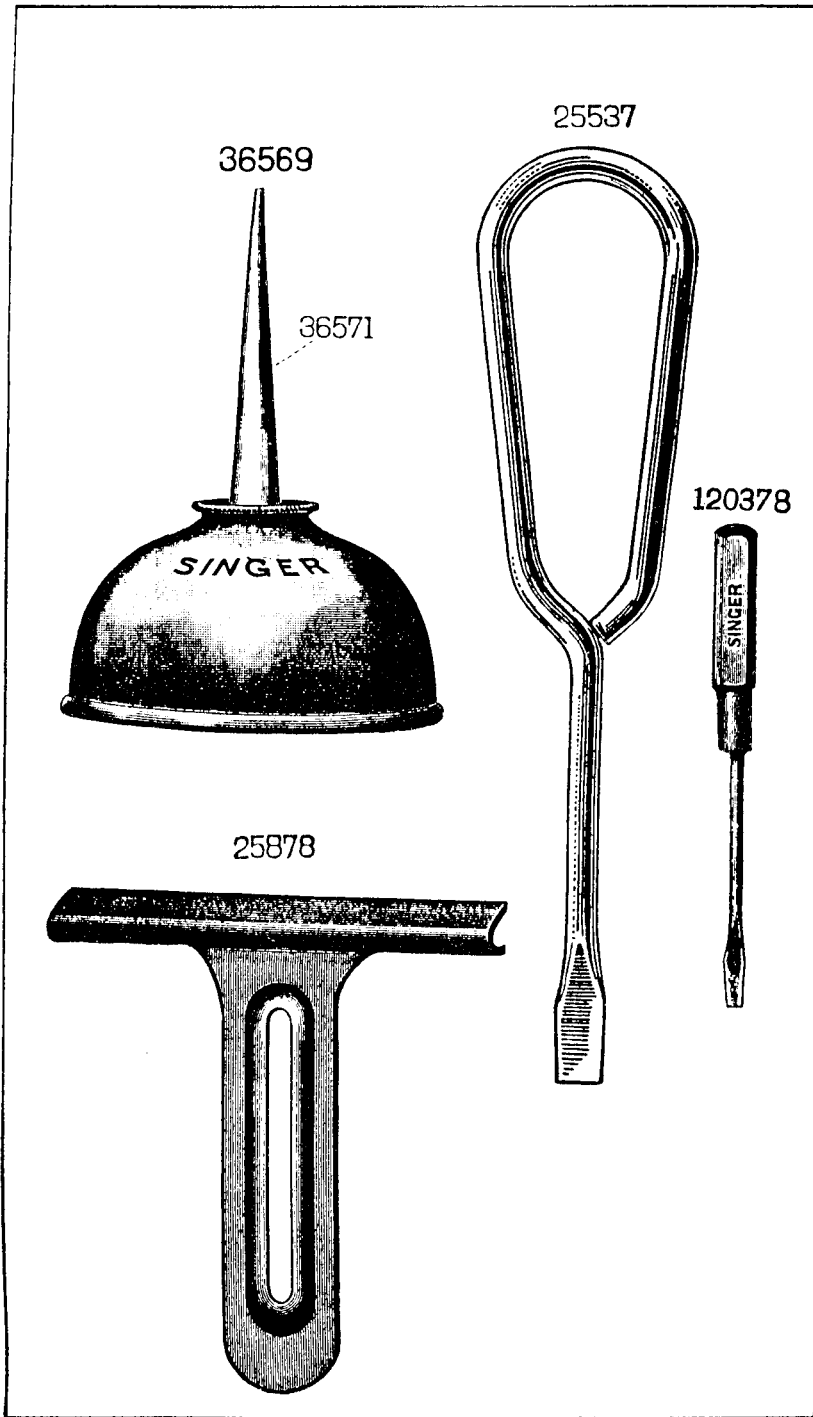
15282

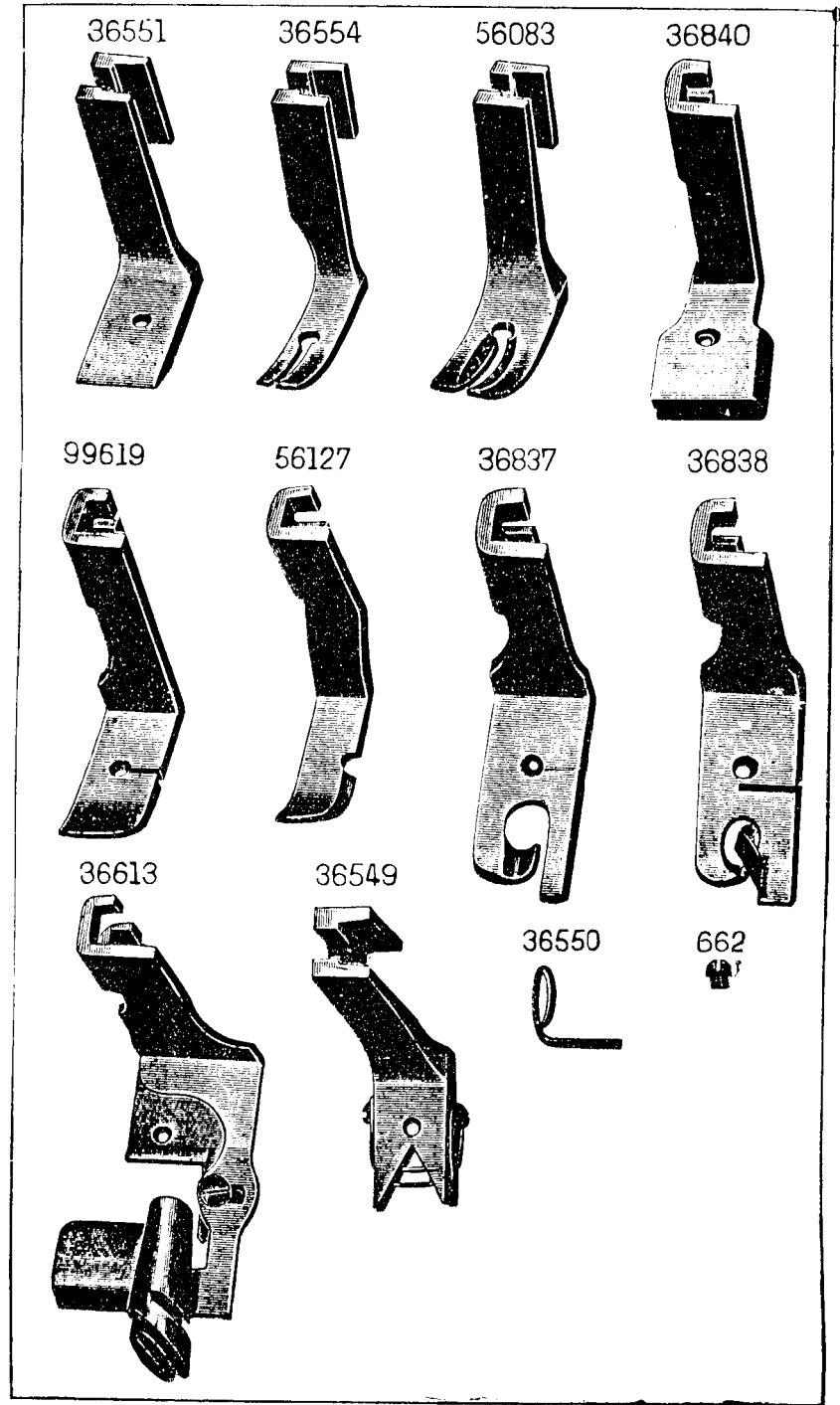
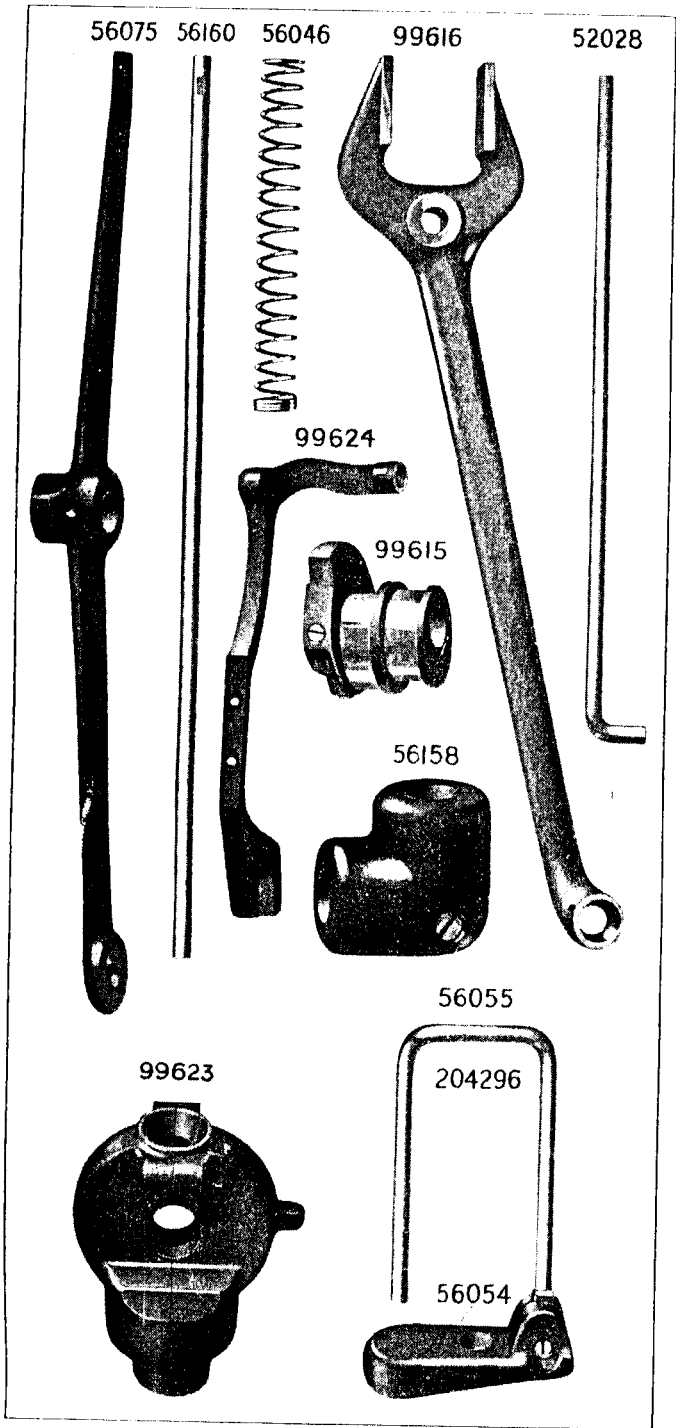


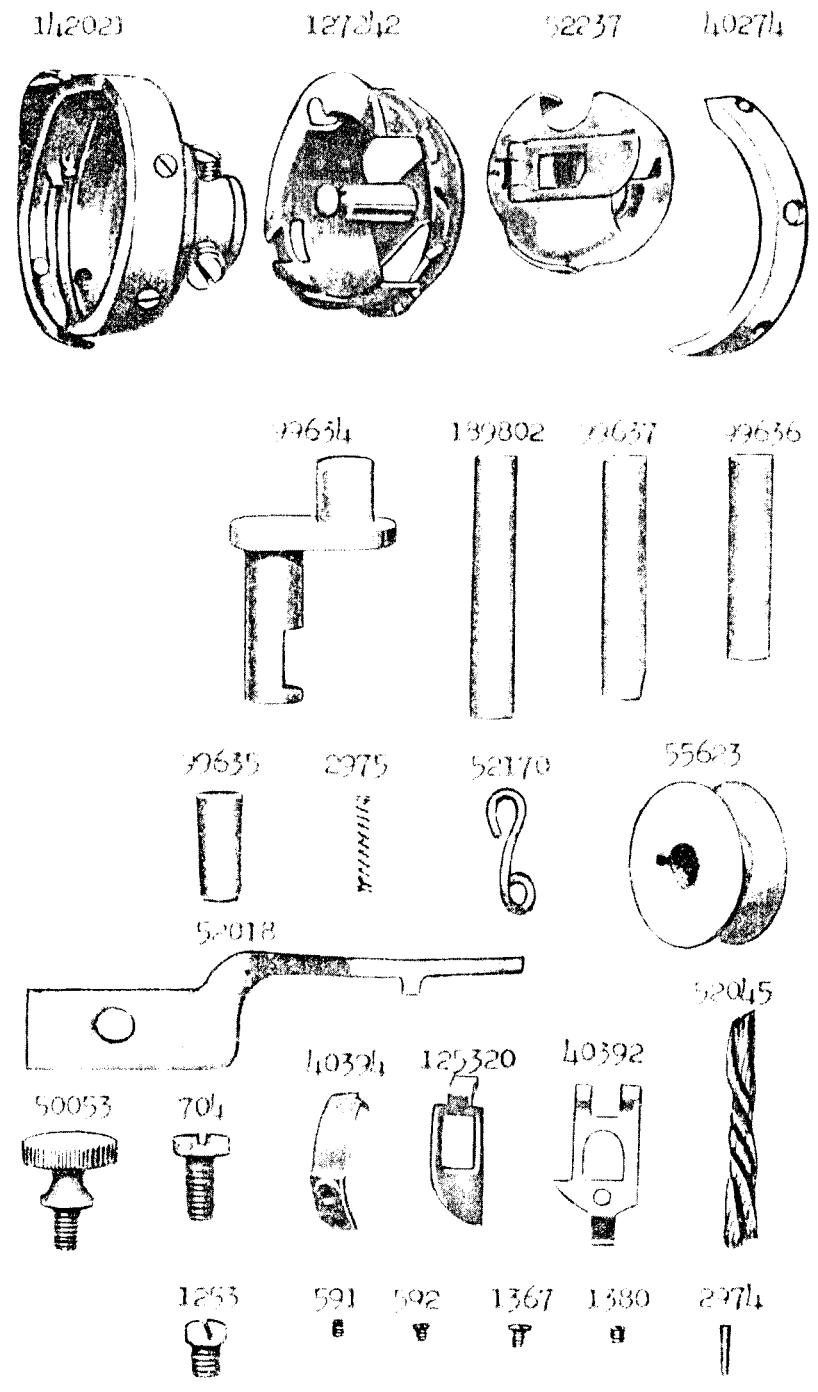
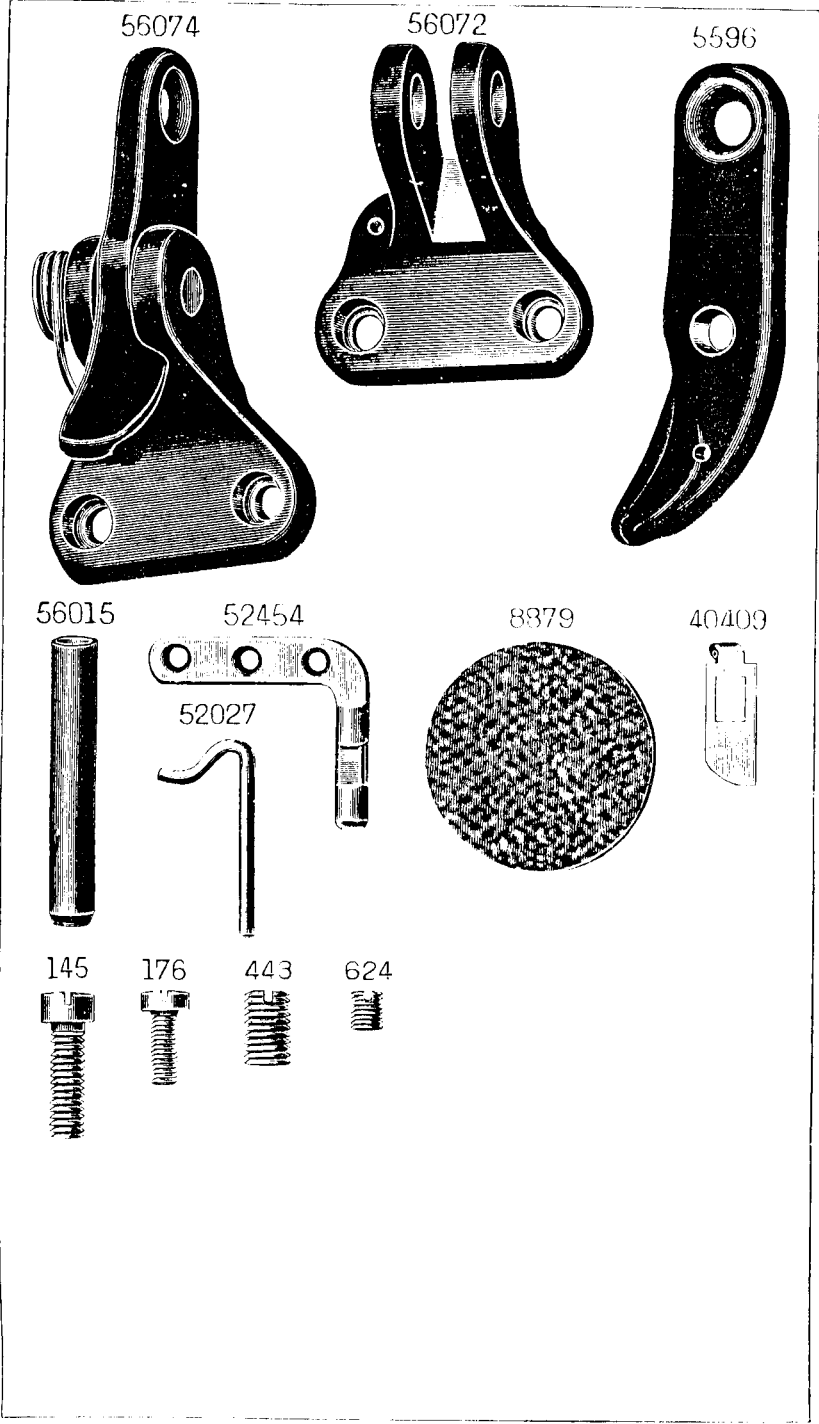
350177

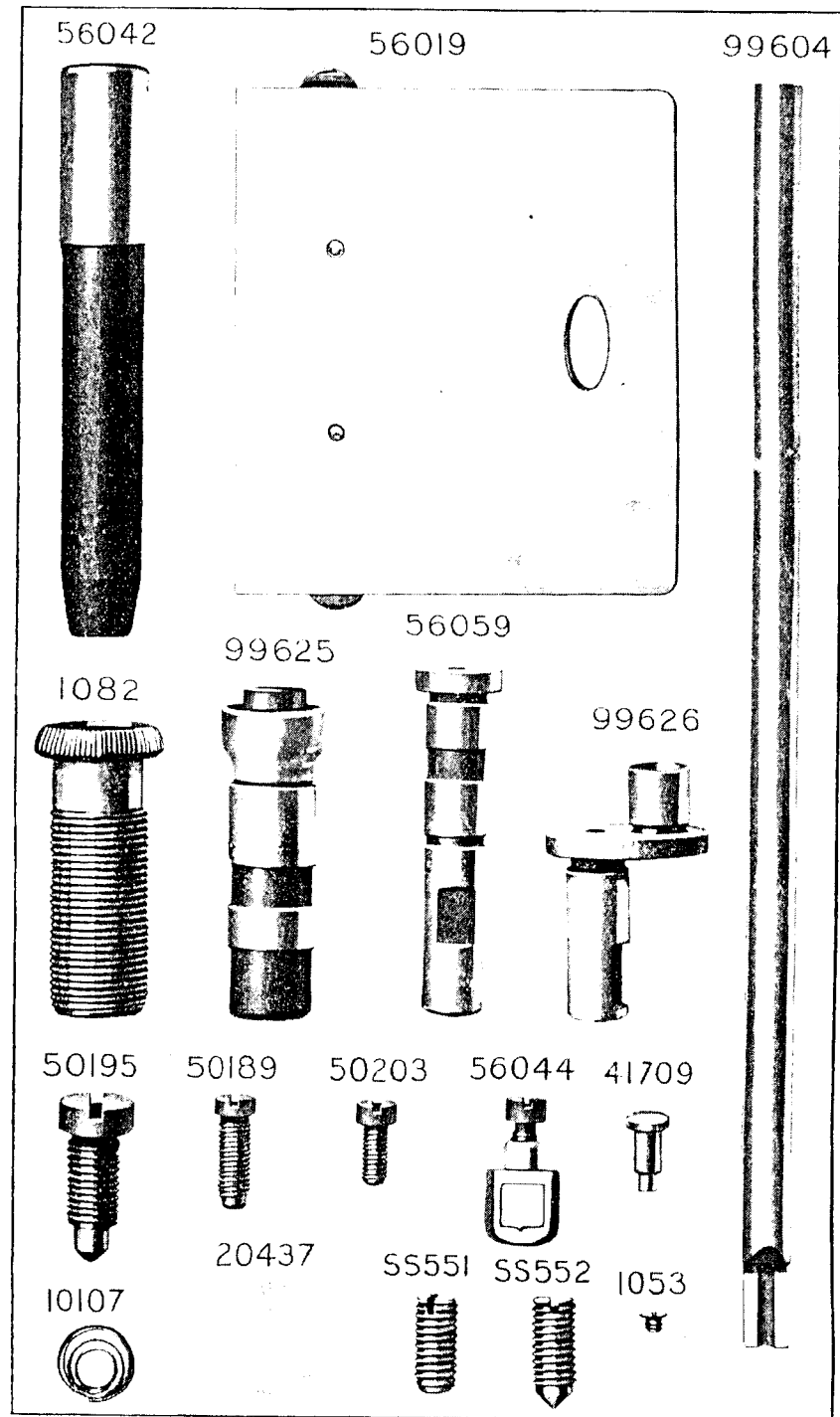
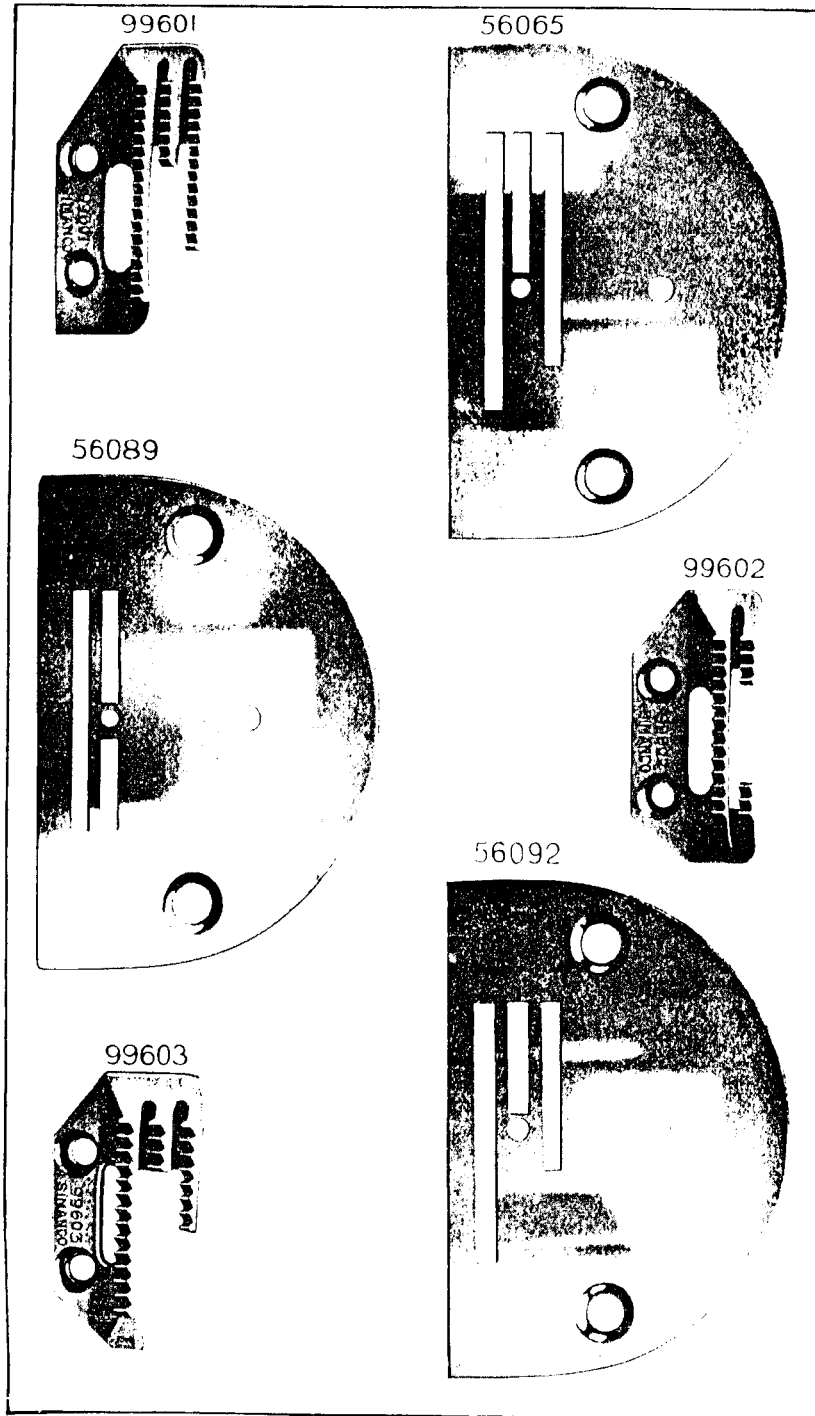
80

100

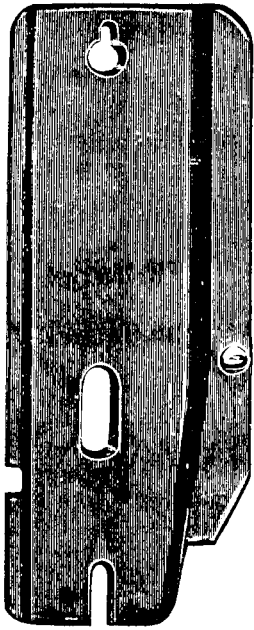




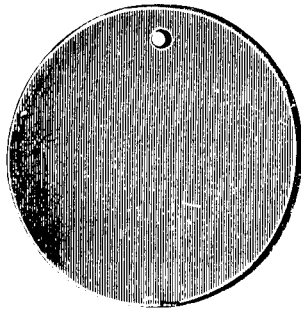




56125



56016



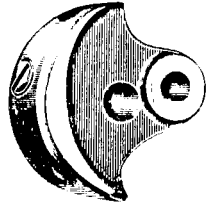
56020



56005



39622



56007



12391



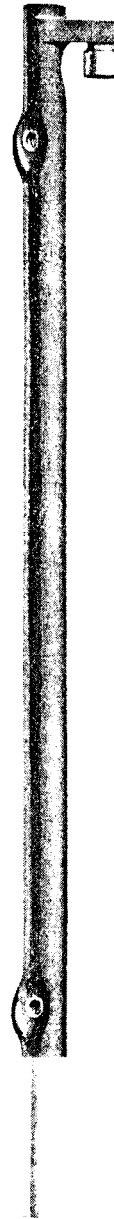
56039



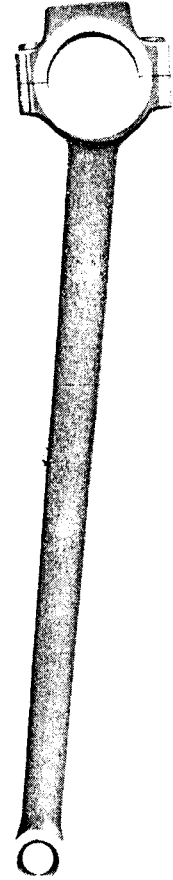
99621

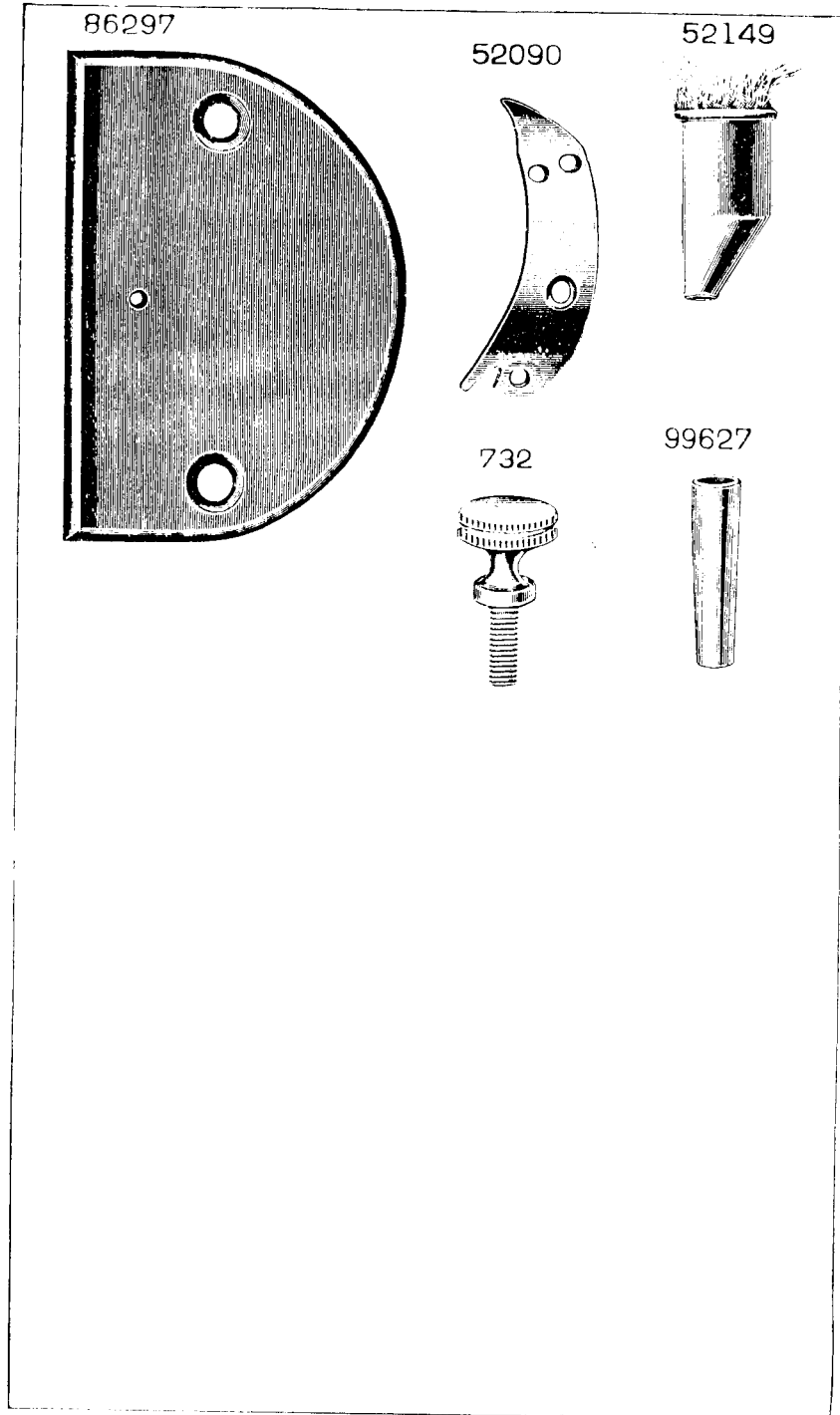
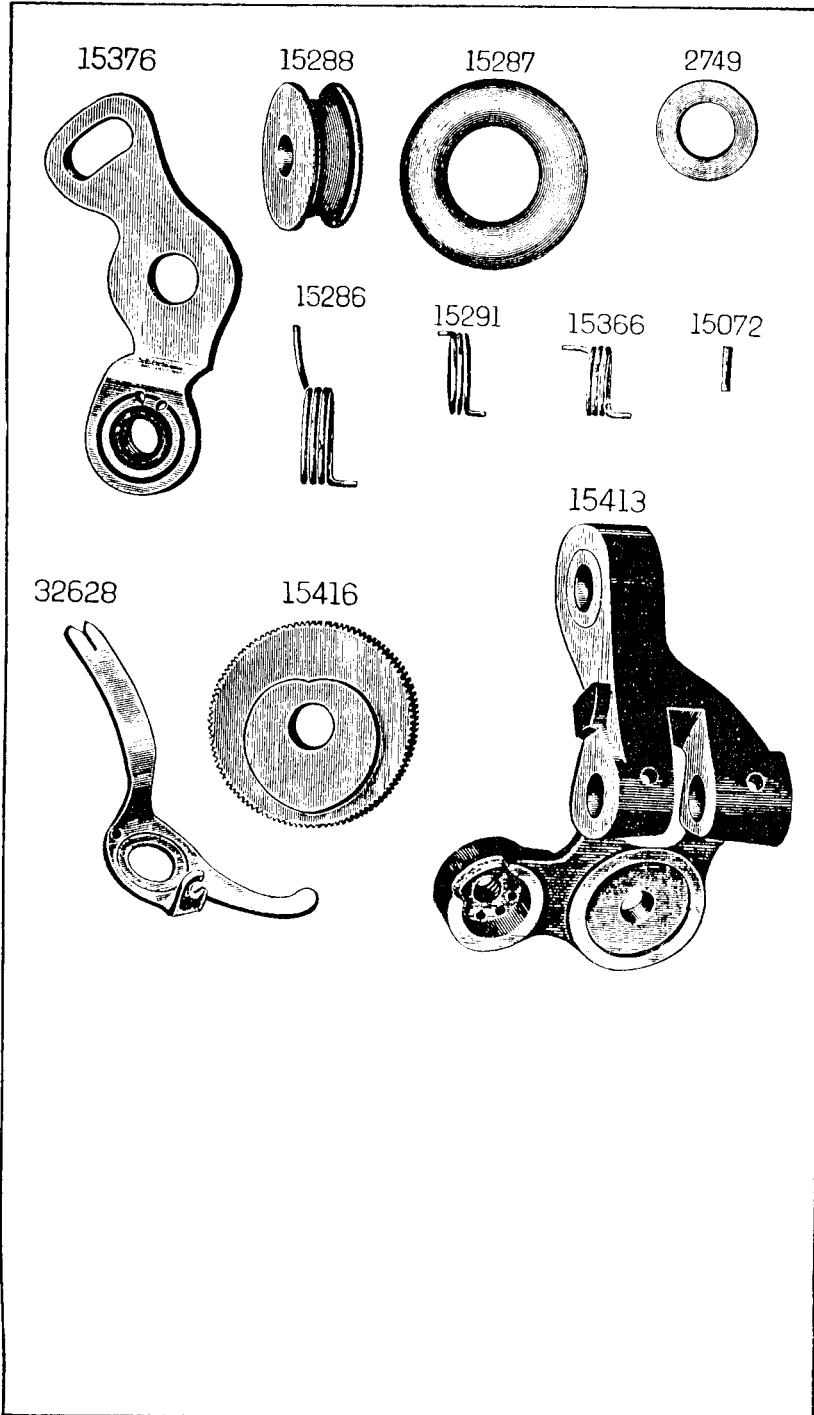


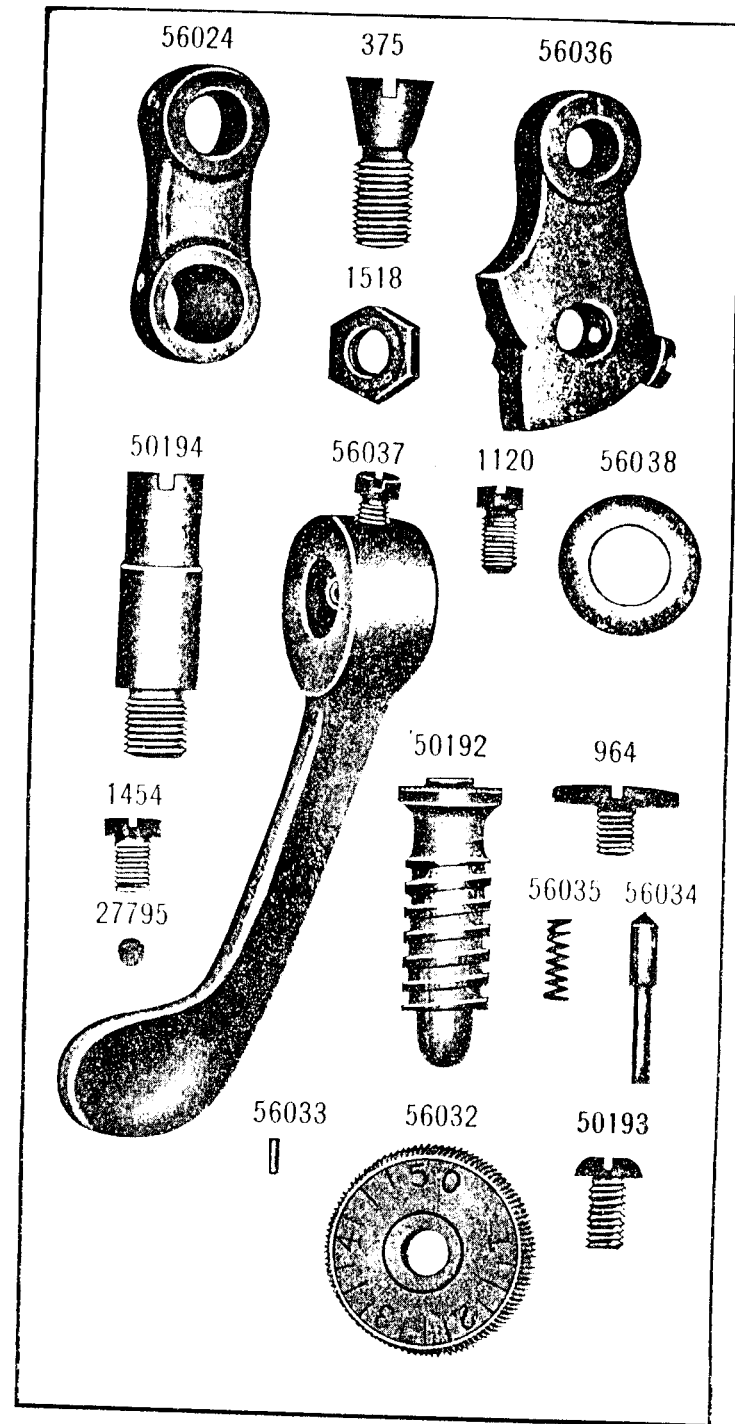
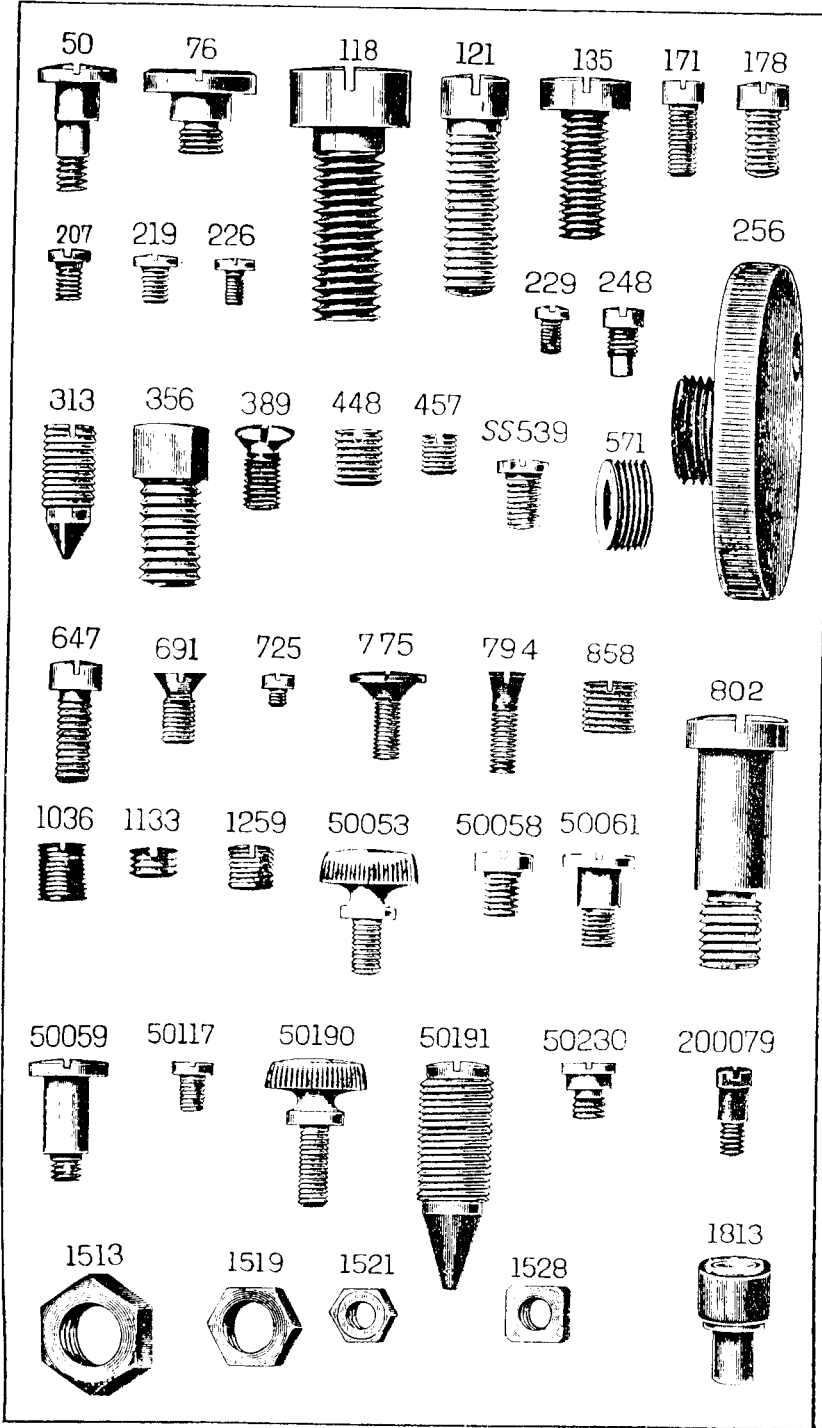
56027

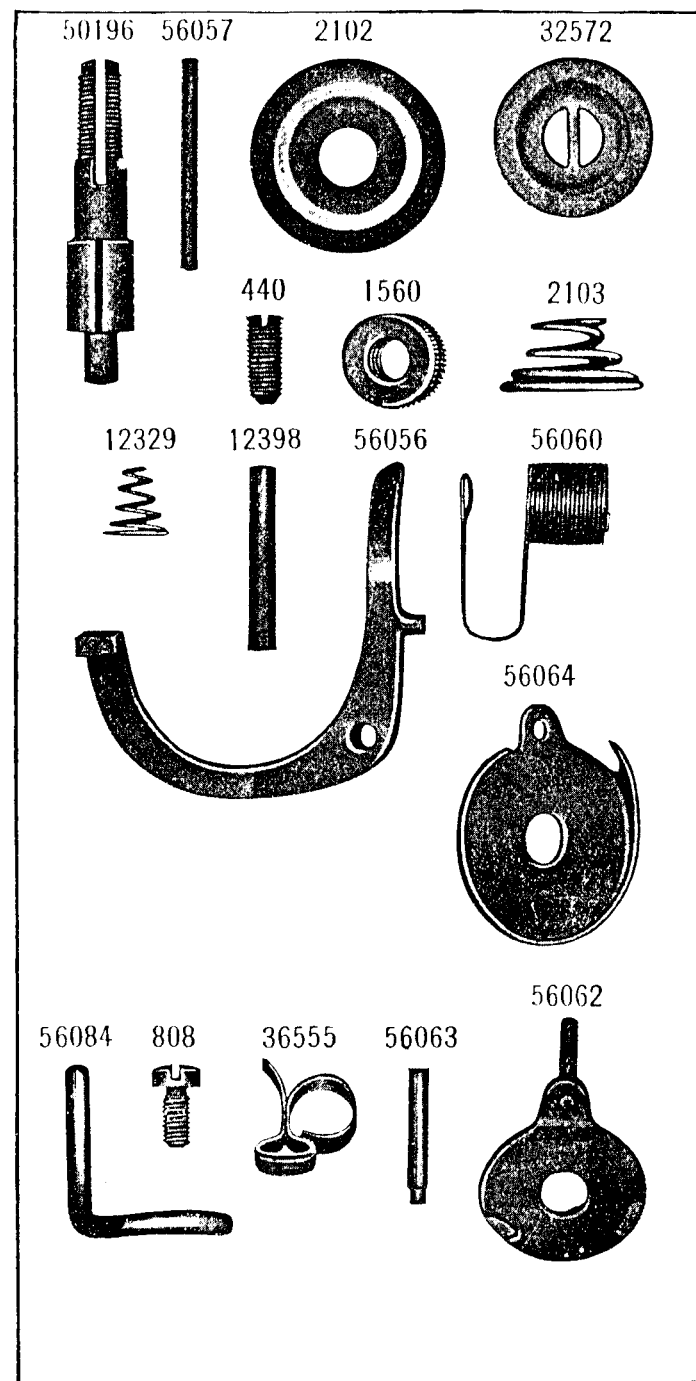
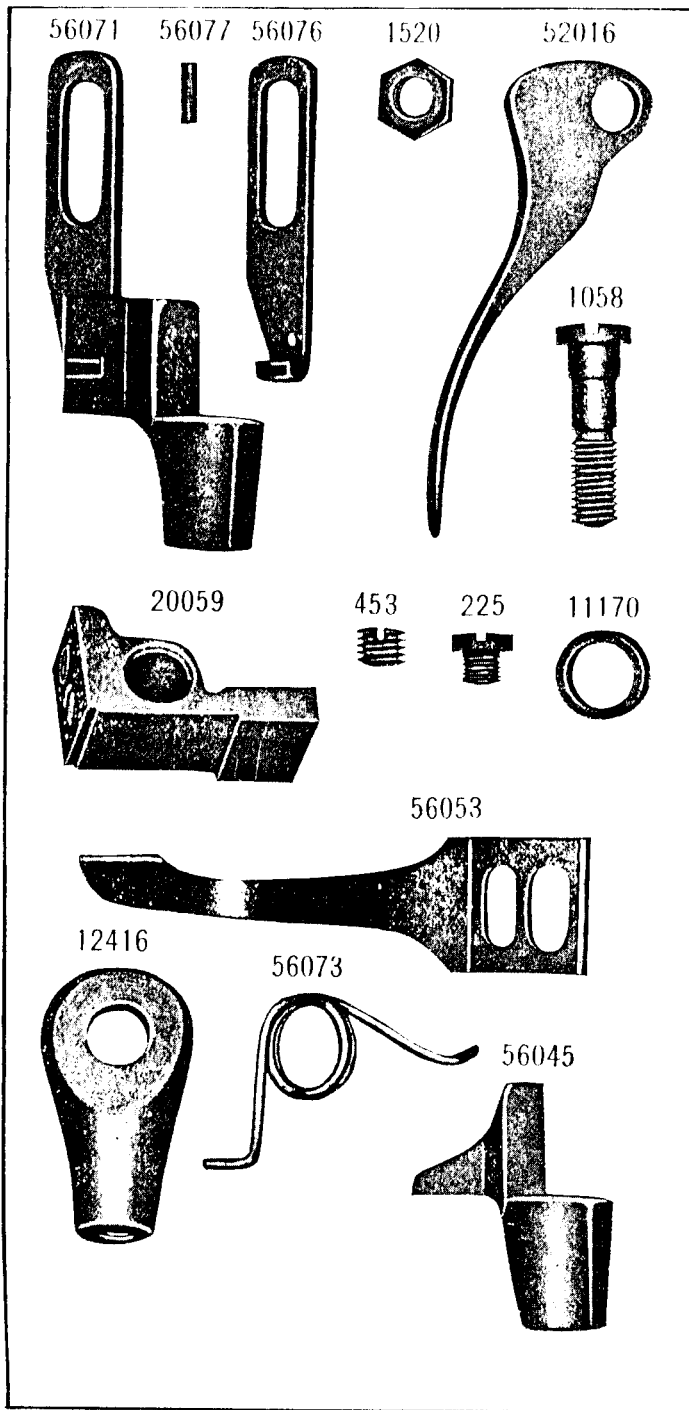


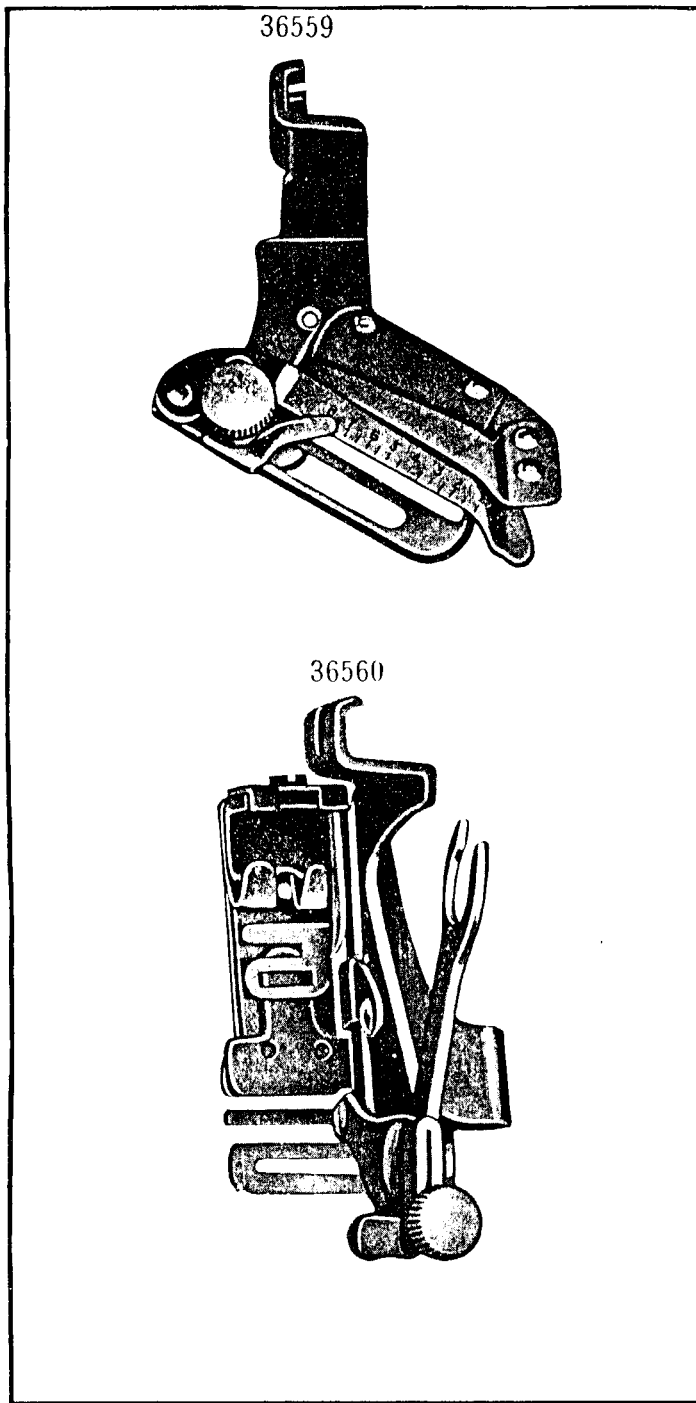
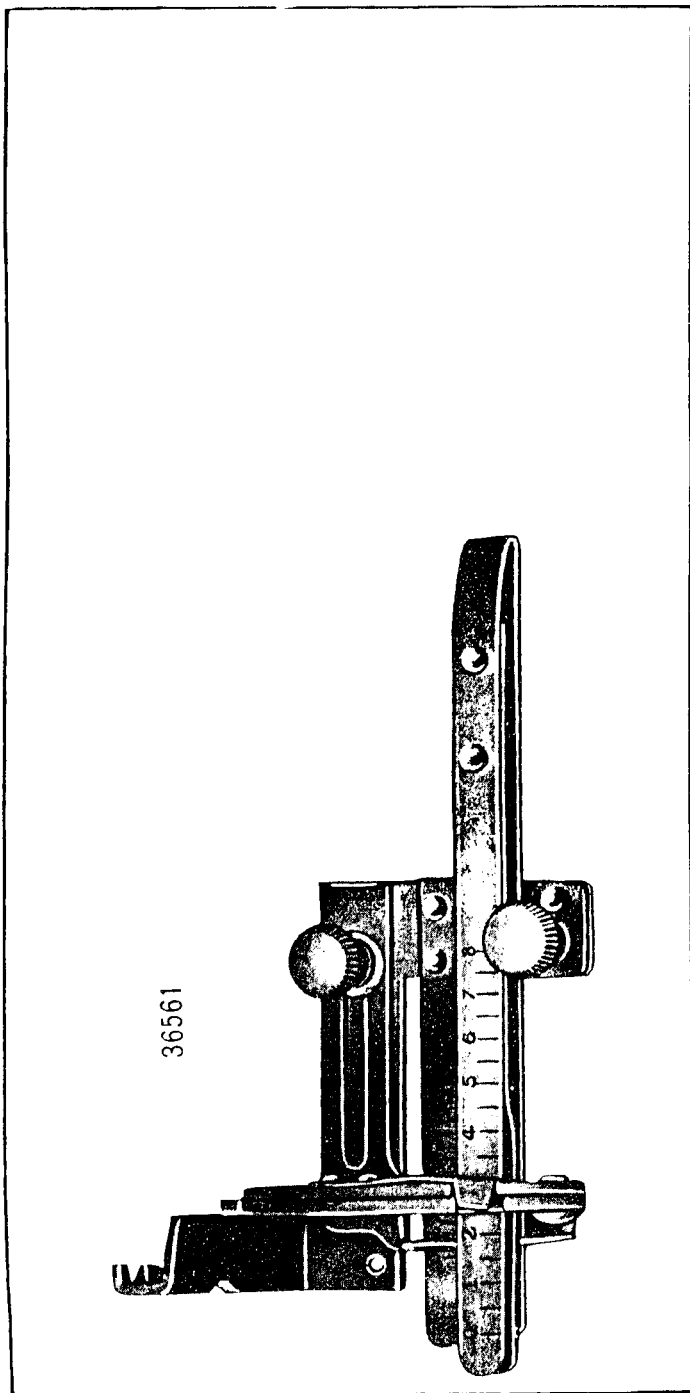
56104











36633



36634



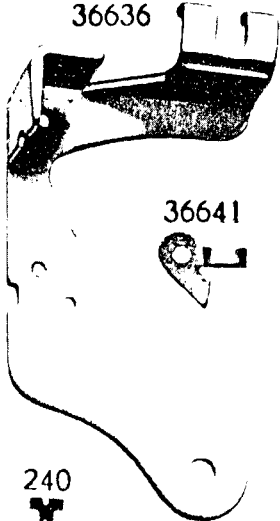
36635



36637



36636



36641



36639



36638



240



36640

36642



26770



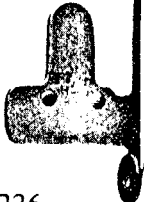
36644



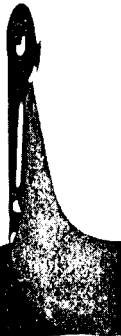
36646



36647



36645



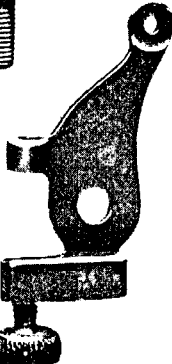
26092



50236



36643



36648



620

